



## INTRAY Easy Loader 90

### Automatic denesting and placement of product into tray

INTRAY Easy Loader 90 is the solution when you want high volume, high speed denesting and automatic placement of a product in the tray.

Easy Loader 90 requires very little space compared to the volume and output. It processes up to 90 portions per minute. It comes with a Smart Tool made for your tray. The control unit is built into the denester. We

use stainless steel tubes wherever possible for easy cleaning and all wiring is run through the tubes to protect them against the harsh working environment of a food production line.

#### **Completely automatic denesting**

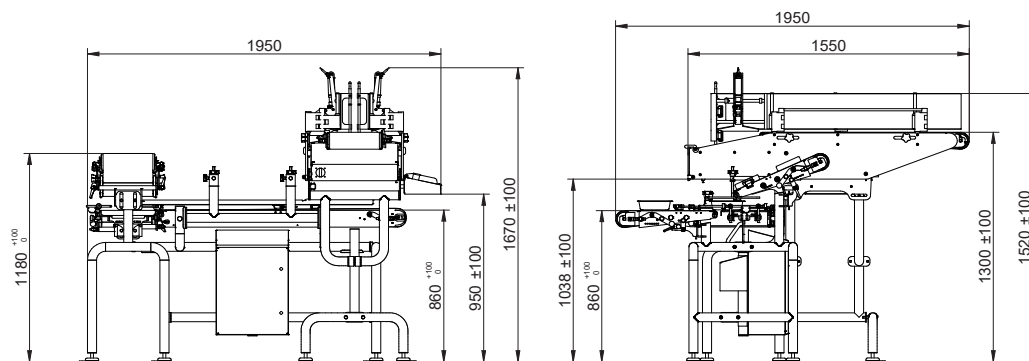
The INTRAY Easy Loader 90 is completely automatic. No human hand is in contact with the product, yet again ensuring top level

hygienic handling. Because we made the system modular, your plant technicians can replace any denesting spare part easily and be up and running within the hour.

# Technical specifications

## INTRAY Easy Loader 90

<b>Specifications</b>	
<b>Capacity</b>	Up to 90 portions per minute (tray depending)
<b>Highlights</b>	Large buffer of trays
	Automatic placement of product into tray
	Integrated programmable control unit
	100 % electrical denesting
	Product has no contact with line personnel during the whole process
	Designed for industrial cleaning
	Space-saving compact solution



Specifications and photos are intended as a guide and can be changed by QUPAQ without notice. We make reservations for misprints and typing errors.